

FPM-715 FPM-717 FPM-719

15" XGA/17" SXGA/19" SXGA Industrial Monitors with Resistive Touch Control, Direct HDMI, DP, and VGA Ports



Features

- 17" SXGA TFT LED LCD with 50,000 backlight lifetime
- 15" XGA/19" SXGA TFT LED LCD with 70,000 backlight lifetime
- Direct HDMI, DP and VGA input interfaces
- Anti-glare screen with tempered glass
- Robust system with Die-casting aluminum chassis and IP66-rated aluminum alloy front bezel
- Lockable I/O connectors
- Slim design enables easy installation
- OSD control buttons with 2 user-defined contrast/brightness controls
- Combo RS-232 & USB interface for touchscreen functionality
- Supports various mount options: panel, wall, desktop, rack or VESA arm mounting



Introduction

In IIoT and Industry 4.0, more and more customers need data to be visualized to help process management and decision making. The FPM-700 series comprises 15", 17" and 19" industrial-grade monitors with sleek, simple lines and a true-flat touchscreen. Equipped with durable 5-wire resistive touchscreen and an IP66-rated front bezel, FPM-700 series is specifically designed for industrial applications. Moreover, FPM-700 series support a wide operating temperature range (-20 ~ 60 °C/-4 ~ 140 °F) and various mount options to make these monitors ideal for factory and machine automation display applications.

Specifications

General

- **Certification** BSMI, CCC, CE, FCC Class A, UL
- **Dimensions (W x H x D)**
 - FPM-715: 383.2 x 307.3 x 50 mm (15.08 x 12 x 1.96 in)
 - FPM-717: 410.4 x 343.4 x 51 mm (16.15 x 13.5 x 2 in)
 - FPM-719: 454 x 379.8 x 48.5 mm (17.87 x 14.9 x 1.9 in)
- **Enclosure** Front panel: Die cast magnesium alloy
Rear cover: Die-casting aluminum
- **Mount Options** Stand, Wall, Panel and VESA arm (75 x 75mm)
- **Power Input** Terminal Block: 24 V_{DC} input
- **Video Port** HDMI, DP, and VGA
- **USB** Rear I/O USB 2.0 type A
- **Weight (Net)** 4.6 kg / 5.4 kg / 6.2 kg

Power Consumption

- **FPM-715-R9AE** 1.03 (Standby), 9.88 (Max)
- **FPM-717-R9AE** 1.05 (Standby), 14.55 (Max)
- **FPM-719-R9AE** 1.04 (Standby), 15.44 (Max)

LCD Display

- **Display Type** XGA/SXGA/SXGA TFT LCD
- **Display Size** 15"/17"/19"
- **Max. Resolution** 1024 x 768/1280 x 1024/1280 x 1024
- **Max. Color** 16.2M/16.7M/16.7M
- **Viewing Angle (H/V °)** 176/176, 170/160, 170/160
- **Luminance (cd/m²)** 300/350/350
- **Backlight Life** 70,000/50,000/70,000 hr
- **Contrast Ratio** 2000:1/1000:1/1000:1

Touchscreen

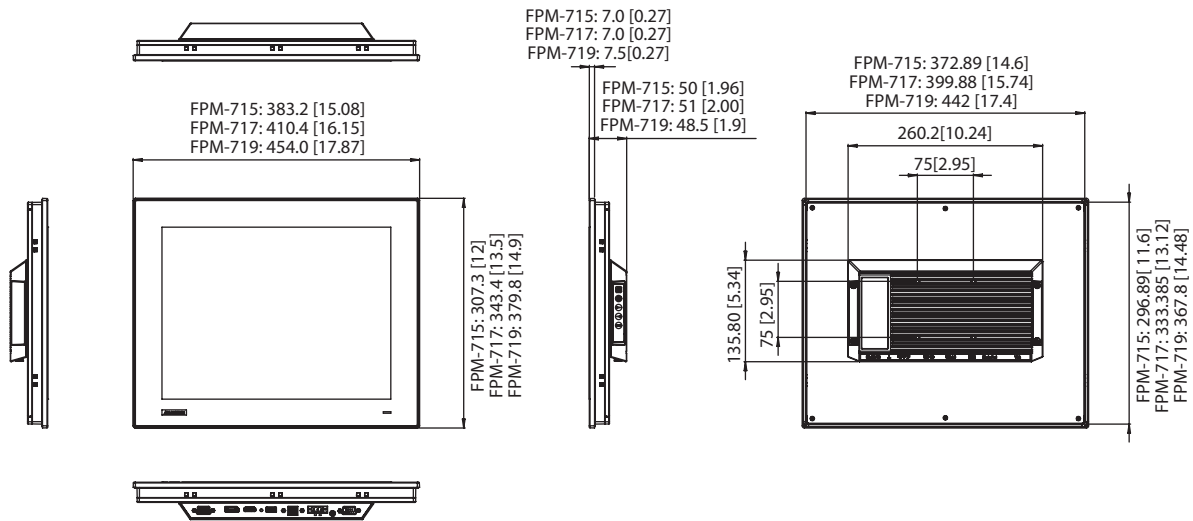
- **Type** 5-wire analog resistive
- **Interface** USB/RS232
- **Light Transmission** Above 75%
- **OS Support** Windows XP, Vista, 7, 8, 10, XPe and Linux
- **Surface Hardness** 3H/3H/4H

Environment

- **Operating Temperature** -20 ~ 60 °C (-4 ~ 140 °F)
- **Storage Temperature** -30 ~ 70 °C (-22 ~ 158 °F)
- **Humidity (Storage)** 10 ~ 90% non-condensing
- **IP Rating** IP-66 graded front panel
- **Vibration** 5 ~ 500 Hz, 1 Grms (Operating, Random)

Dimensions

Unit: mm [inch]



Panel Cutout Dimensions: FPM-715: 374.5 x 298.5 mm (14.74 x 11.75 in)
 FPM-717: 401.3 x 334.8 mm (15.8 x 13.18 in)
 FPM-719: 443.5 x 369.3 mm (17.46 x 14.53 in)

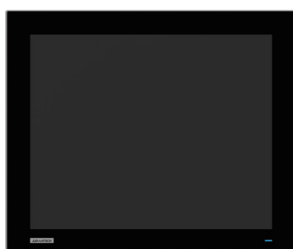
Ordering Information

- **FPM-715-R9AE** 15" XGA Ind. Monitor, w/Resistive TS (24 V_{DC})
- **FPM-717-R9AE** 17" SXGA Ind. Monitor, w/Resistive TS (24 V_{DC})
- **FPM-719-R9AE** 19" SXGA Ind. Monitor, w/Resistive TS (24 V_{DC})

Optional Accessories

- **1702002600** Power Cable US Plug 1.8 M
- **1702002605** Power Cable EU Plug 1.8 M
- **1702031801** Power Cable UK Plug 1.8 M
- **1700000596-11** Power Cable China/Australia Plug 1.8 M
- **PWR-247-DE** Adapter 100-240V 60W 24V 2.5A
- **FPM-1000T-SMKE** Desktop/Wall Mounting kit for FPM series
- **FPM-715-RMKE** FPM-715 Rack-Mount Kit
- **FPM-717-RMKE** FPM-717 Rack-Mount Kit
- **FPM-719-RMKE** FPM-719 Rack-Mount Kit
- **FPM-7000G-ADKE** Mounting bracket of adapter for FPM-7000
 (Note: Only 17" and 19" supported)

Front View



Rear View



I/O View

