

5-in-1 Low-Profile MiMo Antenna

Model BB-16-7053-A

B+B SMARTWORX

Powered by

ADVANTECH

www.advantech-bb.com



5 separate antennas in one enclosure

PRODUCT FEATURES

- + (2) LTE 4G, 3G, 2G MiMo 690~960/ 1710~2170/ 2500~2700 MHz
- + Wi-Fi 2.4~2.5 GHz
- + DSRC 5.8~6 GHz
- + GPS 1575.42 ± 1.023 MHz
- + IP67 Water and Dust Migration Protection
- + RG174 Low Loss Cable
- + SMA Connectors (4 Male / 1 RP Male - Wi-Fi)

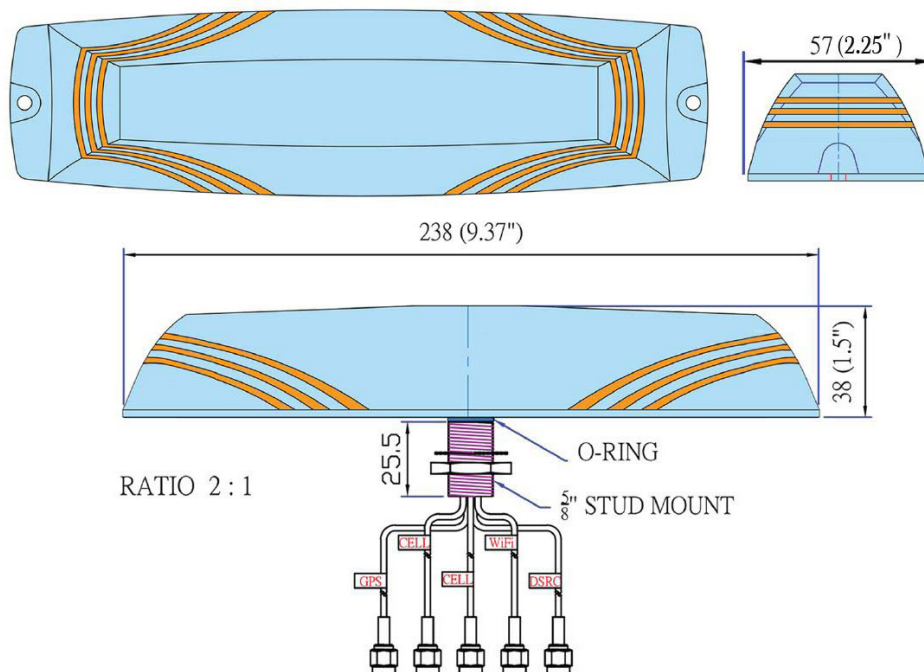
PRODUCT DETAILS

Model BB-16-7053-A is a "multiple-input, multiple-output (MiMo) omni-directional, low-profile, external antenna. This antenna combines five separate antennas into one enclosure. It includes two wide-banded LTE antennas that cover 4G, 3G and 2G bands, one 2.4 GHz Wi-Fi antenna, one DSRC antenna and one active GPS antenna. Low loss RG174 cable is used for its flexibility and efficiency. The enclosure is designed to meet IP67 with protection from water and dust migration.

ORDERING INFORMATION

| MODEL NUMBER | DESCRIPTION |
|--------------|--|
| BB-16-7053-A | MiMo Omni-directional, Low-profile, External Antenna |

MECHANICAL DIAGRAM



All product specifications are subject to change without notice.

BB-16-7053-A_4018ds

B+B SMARTWORX

Powered by

ADVANTECH

orders@advantech-bb.com
eSales@advantech-bb.com

Headquarters: 707 Dayton Rd, PO Box 1040 Ottawa, IL 61350 USA (815)433-5100 or (800)346-3119/Toll Free Fax (815)433-5104
European Office: Westlink Commercial Pk, Oranmore Co. Galway Ireland +353 91 792444 Fax +353 91 792445